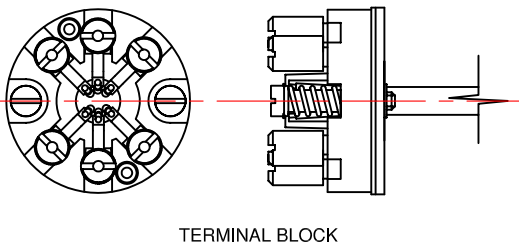
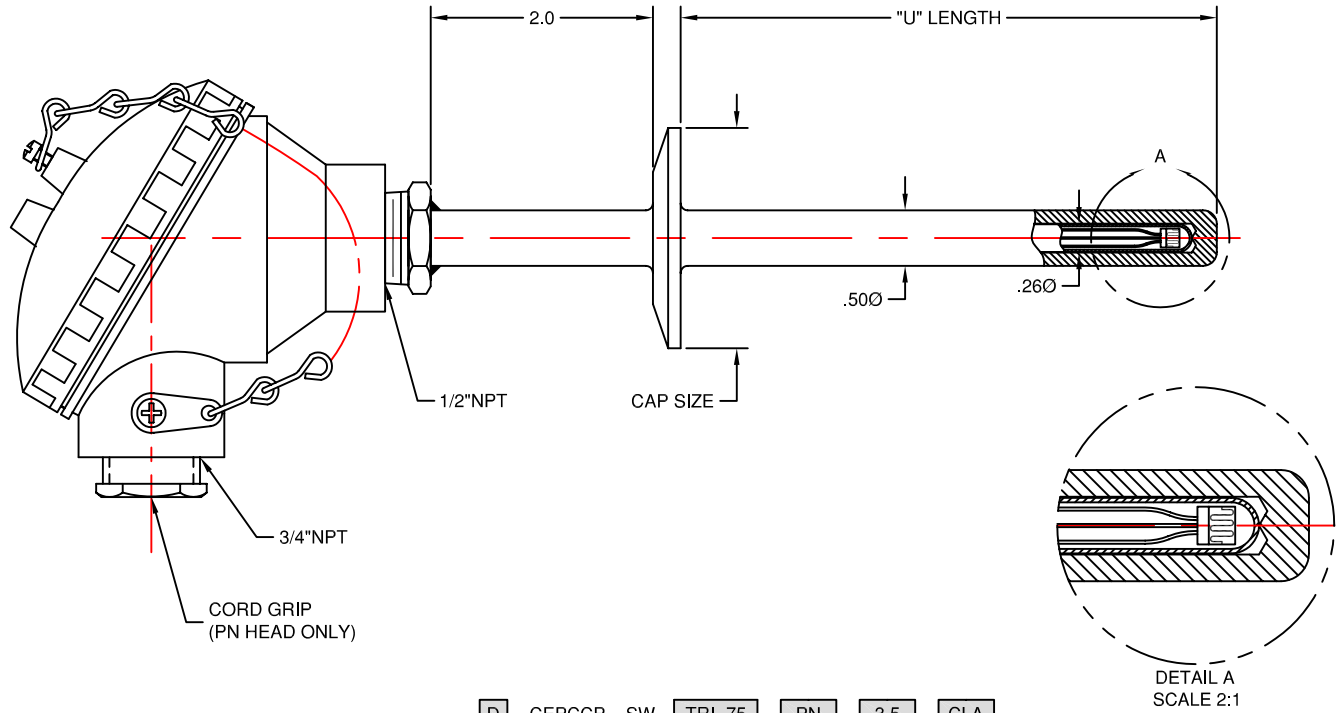


PHARMACEUTICAL & BIOTECH THERMOCOUPLES & RTD'S



TERMINAL BLOCK

D - CEPCCP - SW - TRI-75 - PN - 3.5 - CLA

CODE		ACCURACY
		ASTM E1137 CLASS B (LEAVE BLANK)
CLA		ASTM E1137 CLASS A

CODE		"U" LENGTH
		(IN INCHES)

CODE		CONNECTION HEAD
PN		WHITE POLYPROPYLENE, FDA APPROVED
AN		ALUMINUM, WATERPROOF, NEMA-4
SN		316 STAINLESS STEEL, WATERPROOF, NEMA-4, -4X

CODE	PROCESS CONNECTION		
	TYPE	SIZE	STYLE
TRI-75	16AMP	1/2 - 3/4"	TRI-CLAMP® S-LINE® JENSEN®
TRI-1.5	16AMP	1 - 1 1/2"	
TRI-2	16AMP	2"	
TRI-2.5	16AMP	2 1/2"	
TRI-3	16AMP	3"	I-LINE® E-LINE®
ILN-1.5	16AI-141	1 - 1 1/2"	
ILN-2	16AI-141	2"	
ILN-2.5	16AI-141	2 1/2"	Q-LINE®
ILN-3	16AI-141	3"	
QLN-1.5	16AQ-14	1 - 1 1/2"	
QLN-2	16AQ-14	2"	
QLN-2.5	16AQ-14	2 1/2"	16AQ-14Q
QLN-3	16AQ-14	3"	

CODE		STRUCTURE
		SINGLE, 3 WIRE, PLATINUM, 100 OHMS @ 0° C., .00385 TCR (LEAVE BLANK)
D		DUPLEX, 3 WIRE (6 TOTAL), PLATINUM, 100 OHMS @ 0° C., .00385 TCR

SPECIFICATIONS

Material: 316/316L Stainless Steel  
 Finish: #4, Ra of 32 µin Max.  
 Cap Compliance: 3-A Sanitary Standard  
 Temperature Range: -58 to +500° F.  
 RTD Element (Removable)  
 Type: Platinum, 3-Wire  
 Resistance @ 0° C: 100 OHMS  
 Temperature Coefficient to Resistance: .00385  
 Sheath Material: 316 Stainless Steel  
 Sheath Diameter: 1/4"  
 Termination: Spring Loaded DIN Style Block



TEMPERATURE MEASUREMENT DESIGNER'S GUIDE  
 WWW.THERMO-ELECTRIC-DIRECT.COM

SECTION CEPC  
 CIP RTD'S with  
 CONNECTION HEAD & STRAIGHT THERMOWELL  
 SINGLE & DUPLEX CONSTRUCTION

The information contained hereon shall be considered the sole property of Thermo Electric Company, Inc. The recipient thereof agrees not to disclose or reproduce said information to parties outside the recipient's organization without the written permission of Thermo Electric.

Doc. No.: TE-CO010109-CEPC-040