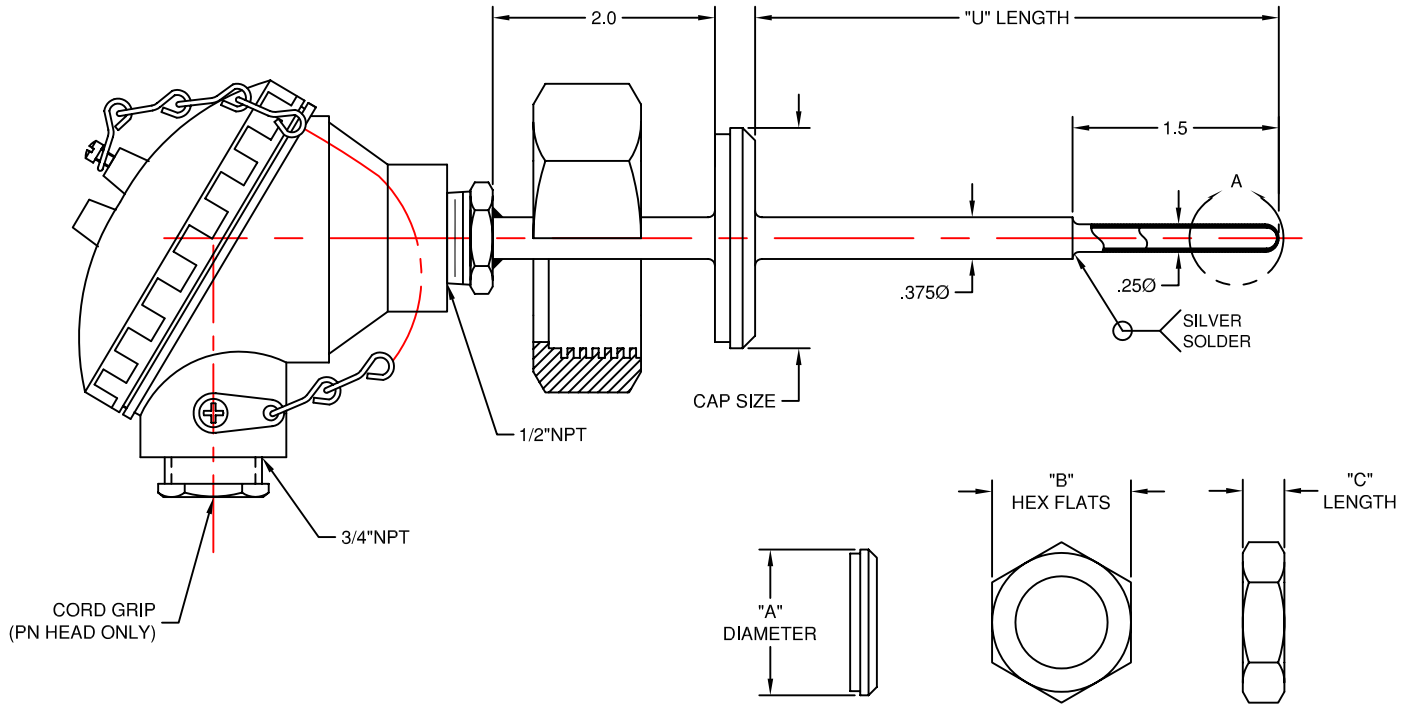
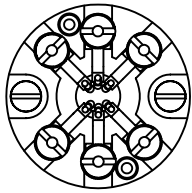


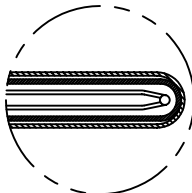
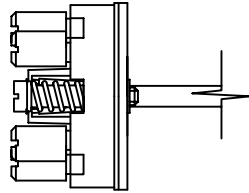
PHARMACEUTICAL & BIOTECH THERMOCOUPLES & RTD'S



CEPCCP-RW-BSF-1-PN-3-JJ-DG



TERMINAL BLOCK



DETAIL A
SCALE 2:1

CODE	MEASURING JUNCTION
G	SINGLE GROUNDED
U	SINGLE UNGROUNDED
DG	DUPLEX GROUNDED
DU	DUPLEX UNGROUNDED

CODE		CALIBRATION
STANDARD	SPECIAL	
J	JJ	IRON (+) vs CONSTANTAN (-)
K	KK	CHROMEL (+) vs ALUMEL (-)
T	TT	COPPER (+) vs CONSTANTAN (-)
E	EE	CHROMEL (+) vs CONSTANTAN (-)

CODE	IMMERSION LENGTH (IN INCHES)

CODE	CONNECTION HEAD
PN	WHITE POLYPROPYLENE, FDA APPROVED
AN	ALUMINUM, WATERPROOF, NEMA-4
SN	316 STAINLESS STEEL, WATERPROOF, NEMA-4, -4X

CODE	PROCESS CONNECTION			
	SIZE	"A" DIAMETER	"B" HEX FLATS	"C" LENGTH
BSF-1	1"	1.313"	1.813"	.906"
BSF-1.5	1.5"	1.844"	2.406"	.969"
BSF-2	2"	2.375"	3"	1.063"
BSF-2.5	2.5"	2.906"	3.594"	1.188"
BSF-3	3"	3.438"	4.188"	1.281"

SPECIFICATIONS

Material: 316/316L Stainless Steel
 Finish: #4, Ra of 32 µin Max.
 Cap Compliance: 3-A Sanitary Standard
 Thermocouple Element (Removable)
 Sheath Material: 316 Stainless Steel
 Sheath Diameter: 3/16"
 Insulation: Hard Packed MgO
 Tolerance: Standard or Special to ANSI MC96.1-1982 & ASTM E230-1993
 Termination: Spring Loaded DIN Style Block



TEMPERATURE MEASUREMENT DESIGNER'S GUIDE
 WWW.THERMO-ELECTRIC-DIRECT.COM

SECTION CEPCC

BEVEL SEAT THERMOCOUPLES with
 CONNECTION HEAD & REDUCE TIP THERMOWELL
 SINGLE & DUPLEX CONSTRUCTION

The information contained hereon shall be considered the sole property of Thermo Electric Company, Inc. The recipient thereof agrees not to disclose or reproduce said information to parties outside the recipient's organization without the written permission of Thermo Electric.

Doc. No.: TE-CO010109-CEPC-180