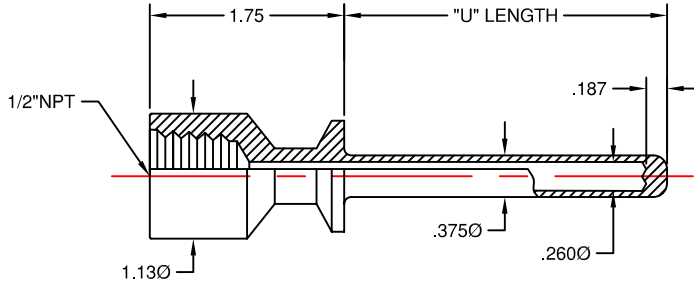


PHARMACEUTICAL & BIOTECH THERMOCOUPLES & RTD'S

16AMP, STRAIGHT CONSTRUCTION



TYPE TRI-ST (1/2 and 3/4")
 TRI-CLAMP®
 S-LINE®
 JENSEN®

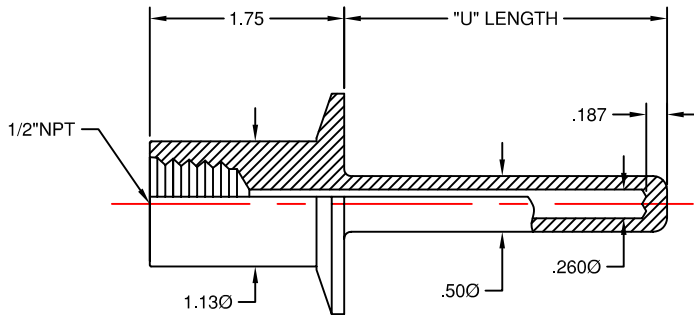
SPECIFICATIONS

Material: 316/316L Stainless Steel
 Finish: #4, Ra of 32 µin Max.
 Cap Compliance: 3-A Sanitary Standard

CEPC - TRI - ST - 75 - 3.5

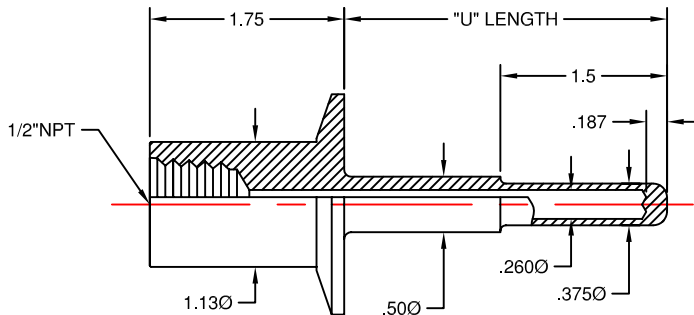
CODE	"U" LENGTH IN INCHES
------	-------------------------

CODE	CAP SIZE
75	1/2 - 3/4"
15	1 - 1 1/2"
20	2"
25	2 1/2"
30	3"



TYPE TRI-ST (1" thru 3")
 TRI-CLAMP®
 S-LINE®
 JENSEN®

16AMP, STEP DOWN CONSTRUCTION



TYPE TRI-SD (1" thru 3")
 TRI-CLAMP®
 S-LINE®
 JENSEN®

CEPC - TRI - SD - 75 - 3.5

CODE	"U" LENGTH IN INCHES
------	-------------------------

CODE	CAP SIZE
15	1 - 1 1/2"
20	2"
25	2 1/2"
30	3"



SECTION CEPC

CIP THERMOWELLS 16AMP, STRAIGHT AND STEP DOWN CONSTRUCTION

The information contained hereon shall be considered the sole property of Thermo Electric Company, Inc. The recipient thereof agrees not to disclose or reproduce said information to parties outside the recipient's organization without the written permission of Thermo Electric.