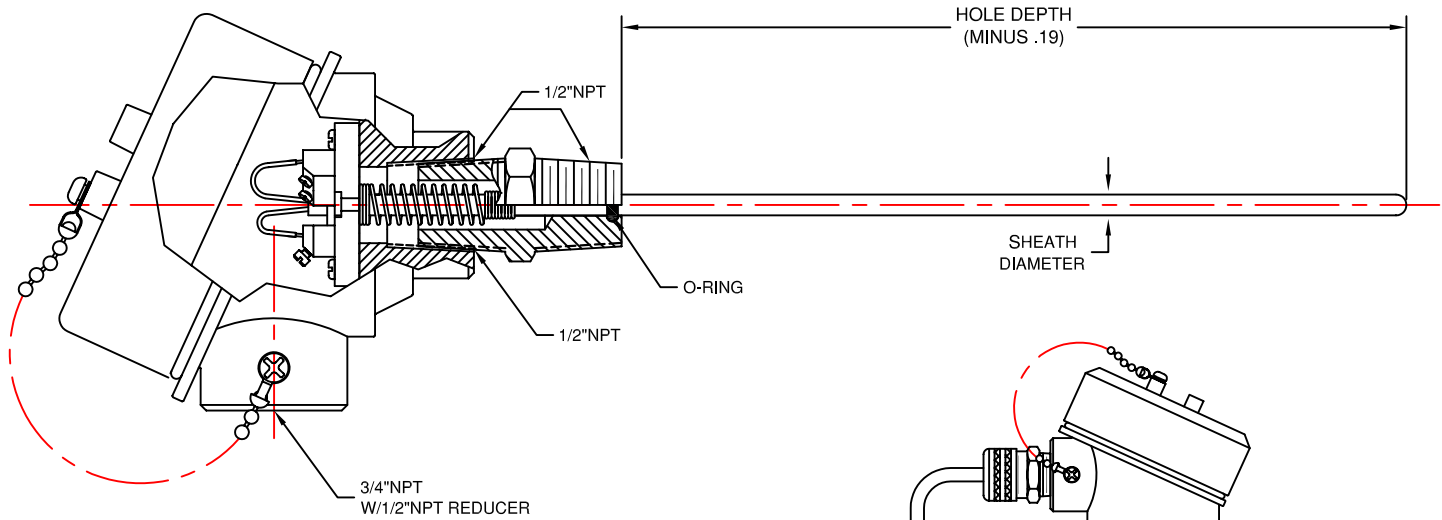
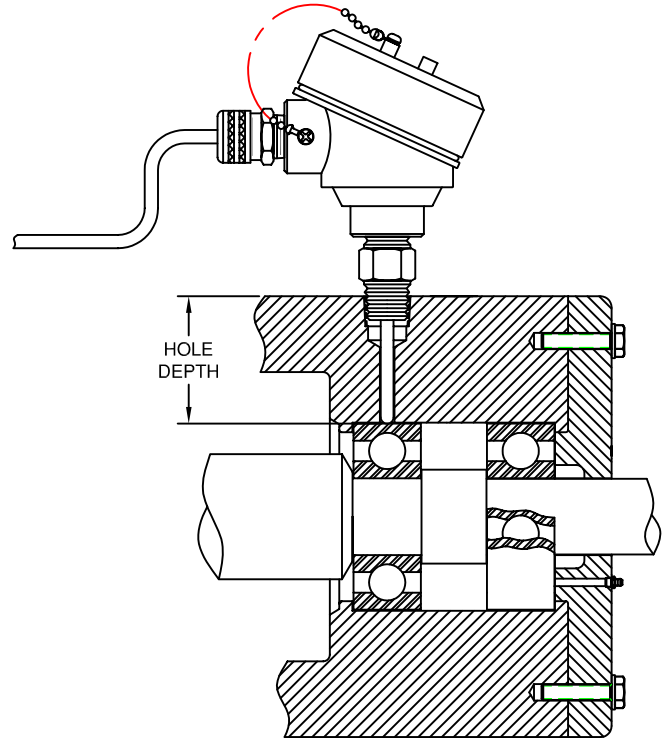


# INDUSTRIAL RTD'S



Specifications:  
 RTD Element  
 Type: Platinum  
 Resistance @ 0° C: 100 OHMS  
 Temperature Coefficient to Resistance: .00385  
 Sheath Material: 316 Stainless Steel  
 Fitting Assembly Material: Stainless Steel.  
 O-Ring: Viton.  
 Service Temperature: 400° F(205° C), Intermitting to 450° F(260° C).

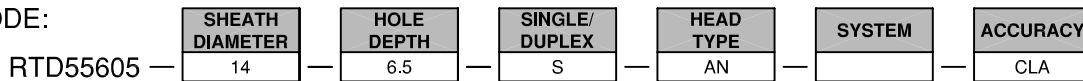


**Notes:**

- (1) Rated NEC class 1, Groups B, C and D.
- (2) ATEX approved EEx d IIC, T6.
- (3) For an item that does not fall within the catalog description an (SP) can be added to the ordering code as part of a custom construction.

CODE	SHEATH DIAMETER	CODE	HOLE DEPTH	CODE	STRUCTURE	CODE	SYSTEM
316	3/16" (.187)		IN INCHES	S	SINGLE CONSTRUCTION	2W	2 WIRE ( 4 WIRE TOTAL WITH DUPLEX) 3 WIRE ( LEAVE BLANK)
14	1/4" (.250)			D	DUPLEX CONSTRUCTION	4W	4 WIRE ( 8 WIRE TOTAL WITH DUPLEX)

ORDERING CODE:



CONNECTION HEAD			
CODE	MATERIAL	TYPE	NEMA
AN	ALUMINUM	WATER PROOF	4
SN	STAINLESS STEEL	WATER PROOF, CORROSION RESISTANT	4, 4X
AE	ALUMINUM	EXPLOSION PROOF (NOTE 1)	4
SE	STAINLESS STEEL	EXPLOSION PROOF, CORROSION RESISTANT (NOTE 1)	4, 4X
XD	ALUMINUM	EXPLOSION PROOF, FM, CSA APPROVED (NOTES 1 & 2)	4, 4X
AX	ALUMINUM, LARGE DEVICE, EPOXY COATED	EXPLOSION PROOF, ATEX APPROVED (NOTE 2)	4

CODE	ACCURACY
	ASTM E1137 CLASS B (LEAVE BLANK)
CLA	ASTM E1137 CLASS A



TEMPERATURE MEASUREMENT DESIGNER'S GUIDE  
 WWW.THERMO-ELECTRIC-DIRECT.COM

## SECTION INRD OIL SEAL RTD'S

The information contained hereon shall be considered the sole property of Thermo Electric Company, Inc. The recipient thereof agrees not to disclose or reproduce said information to parties outside the recipients organization without the written permission of Thermo Electric.

Doc. No.: TE-CO010109-INRD-170