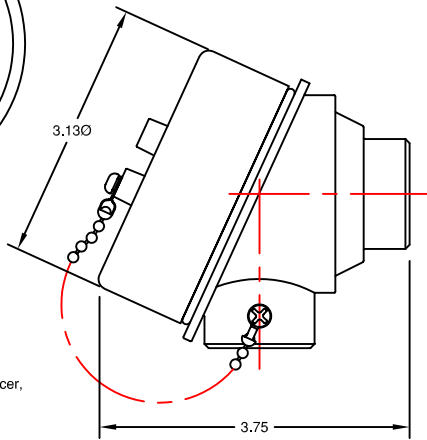
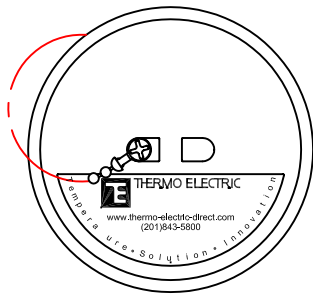


# INDUSTRIAL RTD'S

## TYPE AN



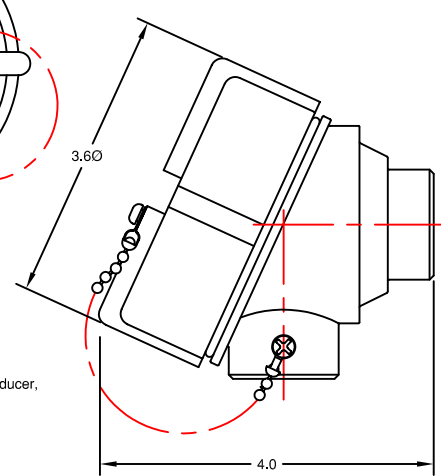
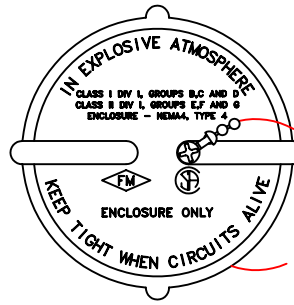
### WATERPROOF ALUMINUM HEAD

#### STANDARD FEATURES

- Gray Polyester Coated Cast Aluminum Body & Cover
- Stainless Steel Ball Chain
- Neoprene O-ring
- Internal Ground Screw
- Available Tube Openings: 1/2", 3/4"NPT
- Available Conduit Openings: 1/2" with reducer, 3/4"NPT

COMPLIANCE  
NEMA-4

## TYPE AE



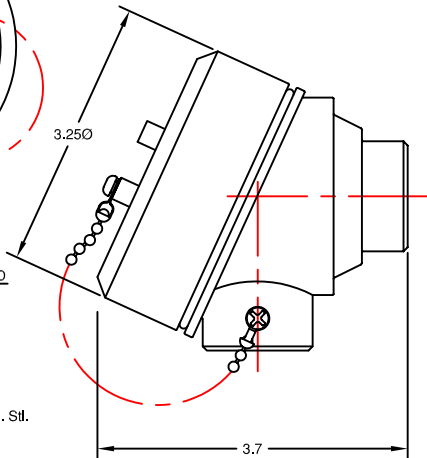
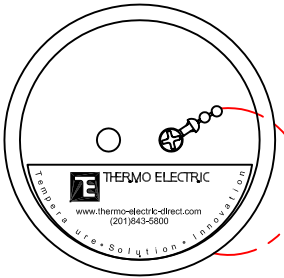
### EXPLOSION PROOF ALUMINUM HEAD

#### STANDARD FEATURES

- Gray Polyester Coated Cast Aluminum Body & Cover
- Stainless Steel Ball Chain
- Neoprene O-ring
- Internal Ground Screw
- Available Tube Openings: 1/2", 3/4"NPT
- Available Conduit Openings: 1/2" with reducer, 3/4"NPT

COMPLIANCE  
CSA & FM Approved for  
Class 1, Division 1, Groups B, C, & D  
Class 2, Division 2, Groups E, F & G  
NEMA-4

## TYPE SN



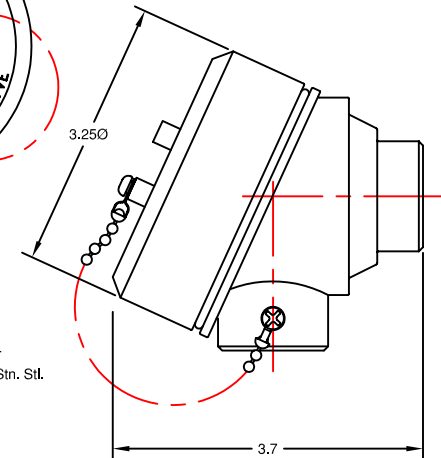
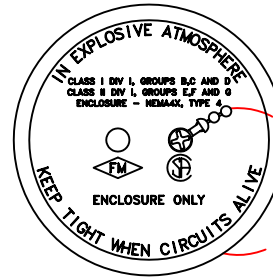
### CORROSION RESISTANT STN. STL. HEAD

#### STANDARD FEATURES

- 316 Stainless Steel Body & Cover
- Stainless Steel Ball Chain
- Neoprene O-ring
- Internal Ground Screw
- Available Tube Openings: 1/2", 3/4"NPT
- Available Conduit Openings: 1/2" with Stn. Stl. reducer, 3/4"NPT

COMPLIANCE  
NEMA-4, -4X

## TYPE SE



### CORROSION RESISTANT EXPLOSION PROOF STN. STL. HEAD

#### STANDARD FEATURES

- 316 Stainless Steel Body & Cover
- Stainless Steel Ball Chain
- Neoprene O-ring
- Internal Ground Screw
- Available Tube Openings: 1/2", 3/4"NPT
- Available Conduit Openings: 1/2" with Stn. Stl. reducer, 3/4"NPT

COMPLIANCE  
CSA & FM Approved for  
Class 1, Division 1, Groups B, C, & D  
Class 2, Division 2, Groups E, F & G  
NEMA-4, -4X

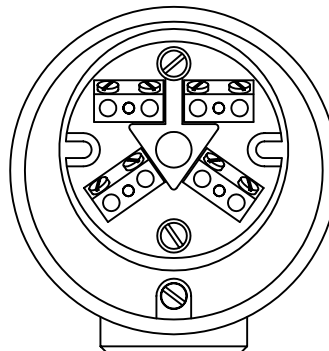
CODE	HEAD TYPE	
	SERVICE	MATERIAL
AN	WATERPROOF	ALUMINUM
AE	EXPLOSION PROOF	ALUMINUM
SN	CORROSION RESISTANT	STAINLESS STEEL
SE	CORROSION RESISTANT, X-PROOF	STAINLESS STEEL

CODE	CONDUIT OPENING
	1/2 or 3/4"NPT

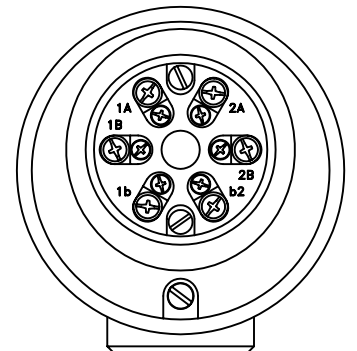
CODE	TUBE OPENING
	1/2 or 3/4"NPT

CODE	TERMINAL BLOCK
4P	4 POINT BLOCK
6P	6 POINT BLOCK

HD:   -    
AN 3/4 - 1/2, 4P



STANDARD 4 POINT BLOCK  
FOR 2, 3 & 4 WIRE RTD'S



STANDARD 6 POINT BLOCK  
FOR 6 WIRE RTD'S



TEMPERATURE MEASUREMENT DESIGNER'S GUIDE  
WWW.THERMO-ELECTRIC-DIRECT.COM

## SECTION INRD

## CONNECTION HEADS

The information contained hereon shall be considered the sole property of Thermo Electric Company, Inc. The recipient thereof agrees not to disclose or reproduce said information to parties outside the recipient organization without the written permission of Thermo Electric.

Doc. No.: TE-CO010109-INRD-210