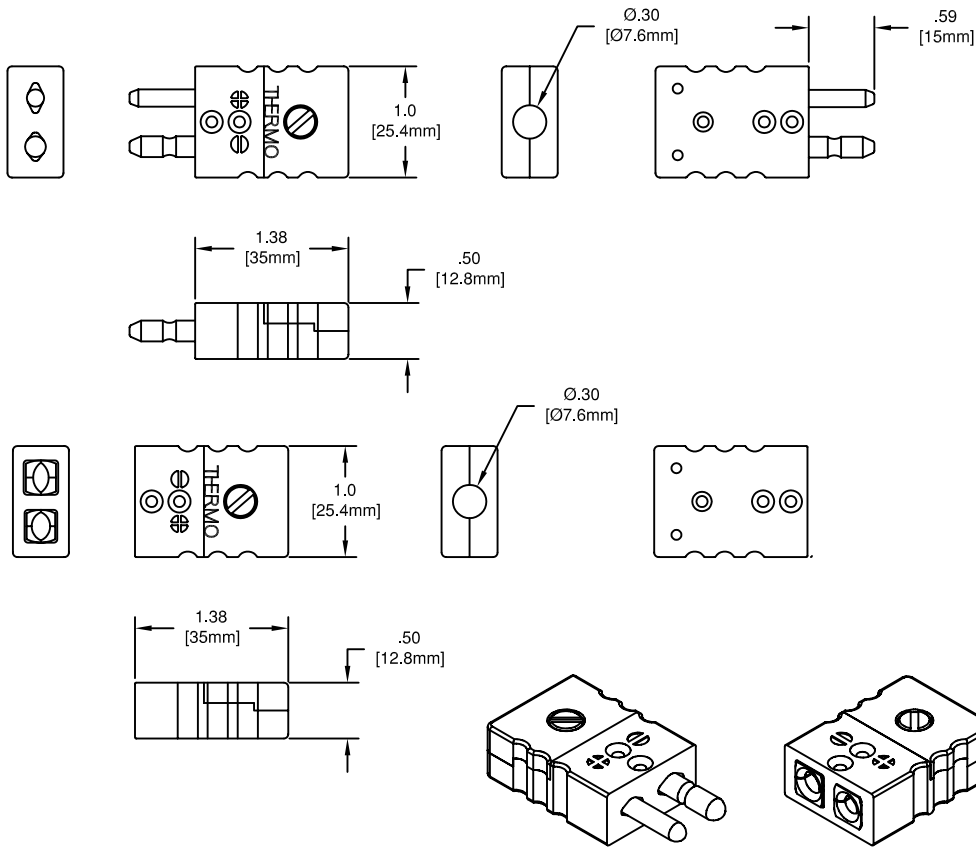


CONNECTORS



EXTENDED TEMPERATURE LIMITS CONNECTORS

Manufactured from a fiberglass reinforced thermosetting plastic material. The extended temperature range thermocouple connector is capable of 660 degrees F (350 degrees C) maximum service. Utilization of the same design as Thermo Electric's standard quick-coupling connectors allows acceptance of all available accessories as well as interchangeability with existing equipment, while extending the useful temperature range by over 200 degrees F. Plugs are available in standard pin or rugged solid pin construction.

SPECIFICATIONS

CONNECTORS

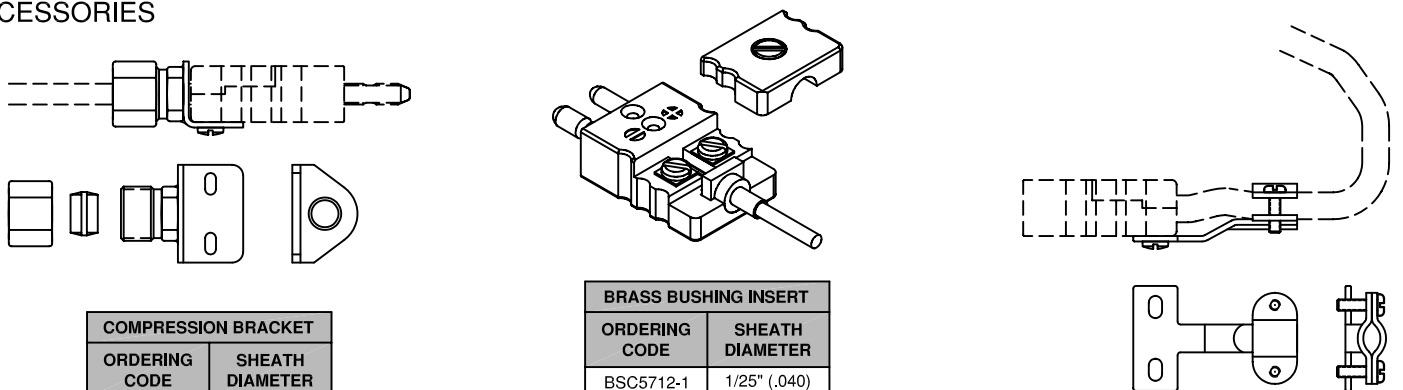
Color Dot Identification: ANSI-MC96
 Pin & Insert Material: Thermocouple Alloys
 Body Material: Glass Filled Thermoset, Brown
 Polarized Pins
 Spring Loaded Inserts
 Single Captive Cover Screw
 Maximum Temperature Limit: 660°F (350°C)
 Maximum Wire Diameter: .079" (14Ga)

ACCESSORIES

Compression Brackets: Stainless Steel, Brass insert, Includes Mounting Screws
 Brass Bushing Inserts: Crimp or Solder
 Wire Clamp Brackets: Stainless Steel, Includes Mounting Screws

ORDERING CODE (ANSI)				ORDERING CODE (IEC)				CALIBRATION		SYMBOL
PLUG	PLUG (SOLID PINS)	JACK	BODY COLOR	PLUG	PLUG (SOLID PINS)	JACK	DOT COLOR	POSITIVE (+)	NEGATIVE (-)	
CO-40301	CO-40301HD	CO-40401	BLACK	CO-40301-IEC	CO-40301HD-IEC	CO-40401-IEC	BLACK	IRON	CONSTANTAN	JX
CO-40302	CO-40302HD	CO-40402	YELLOW	CO-40302-IEC	CO-40302HD-IEC	CO-40402-IEC	GREEN	CHROMEL	ALUMEL	KX
CO-40303	CO-40303HD	CO-40403	BLUE	CO-40303-IEC	CO-40303HD-IEC	CO-40403-IEC	BROWN	COPPER	CONSTANTAN	TX
CO-40304	CO-40304HD	CO-40404	GREEN	CO-40304-IEC	CO-40304HD-IEC	CO-40404-IEC	ORANGE	COPPER	ALLOY 11	SX/RX
CO-40305	CO-40305HD	CO-40405	PURPLE	CO-40305-IEC	CO-40305HD-IEC	CO-40405-IEC	VIOLET	CHROMEL	CONSTANTAN	EX
CO-40306	CO-40306HD	CO-40406	WHITE	CO-40306-IEC	CO-40306HD-IEC	CO-40406-IEC	WHITE	COPPER	COPPER	BX
(USE HD)	CO-40307HD	CO-40407	ORANGE	(USE HD)	CO-40307HD-IEC	CO-40407-IEC	PINK	NICROSIL	NISIL	NX

ACCESSORIES



COMPRESSION BRACKET	
ORDERING CODE	SHEATH DIAMETER
BK/FT21670-1	1/16" (.063)
BK/FT21670-2	1/8" (.125)
BK/FT21670-3	3/16" (.187)
BK/FT21670-4	1/4" (.25)

BRASS BUSHING INSERT	
ORDERING CODE	SHEATH DIAMETER
BSC5712-1	1/25" (.040)
BSC5712-2	1/16" (.063)
BSC5712-3	1/8" (.125)
BSC5712-4	3/16" (.187)
BSC5712-5	1/4" (.25)

WIRE CLAMP BRACKET	
ORDERING CODE	
BK/CL26000-2	



TEMPERATURE MEASUREMENT DESIGNER'S GUIDE
 WWW.THERMO-ELECTRIC-DIRECT.COM

SECTION CONN
 QUICK-COUPLING
 EXTENDED TEMPERATURE LIMITS
 STANDARD SIZE, 2-PIN

The information contained hereon shall be considered the sole property of Thermo Electric Company, Inc. The recipient thereof agrees not to disclose or reproduce said information to parties outside the recipient's organization without the written permission of Thermo Electric.

Doc. No.: TE-CO010109-CONN-020