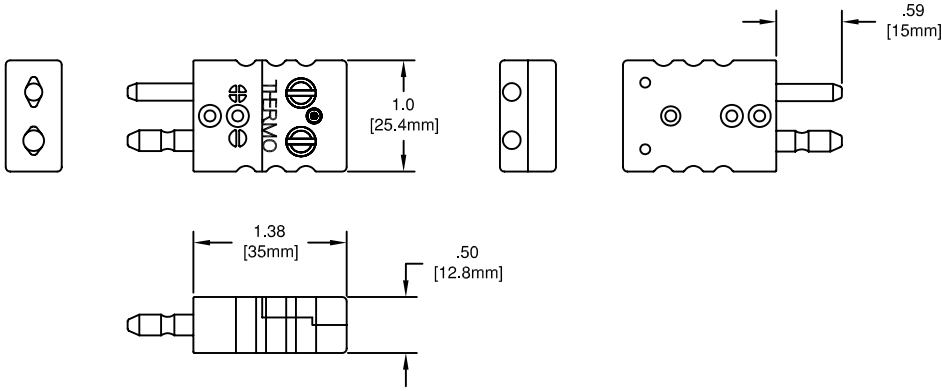


CONNECTORS



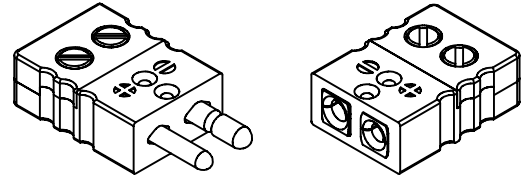
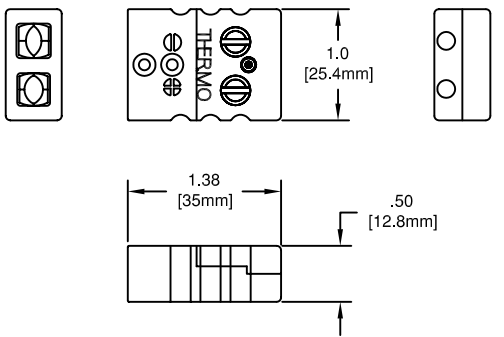
QUICK WIRE CONNECTORS

Are manufactured from the same rugged thermoplastic body material as the standard quick-coupling with the advantage of quick dependable wire connection in seconds. A 2-hole offset channel allows the wires to be inserted from the back then tightened using the access screws on top of the connector.

SPECIFICATIONS

CONNECTORS

- Color Identification: ANSI-MC96 or IEC
- Pin & Insert Material: Thermocouple Alloys
- Body Material: High Impact Strength Thermoplastic
- Polarized Pins
- Spring Loaded Inserts
- Single Captive Cover Screw
- Maximum Temperature Limit: 390°F (200°C)
- Wire Diameter: .079" (14Ga)



ORDERING CODE (ANSI)				ORDERING CODE (IEC)				CALIBRATION		SYMBOL
PLUG	PLUG (SOLID PINS)	JACK	BODY COLOR	PLUG	PLUG (SOLID PINS)	JACK	BODY COLOR	POSITIVE (+)	NEGATIVE (-)	
CO-45111	CO-45111HD	CO-45211	BLACK	CO-45111-IEC	CO-45111HD-IEC	CO-45211-IEC	BLACK	IRON	CONSTANTAN	JX
CO-45112	CO-45112HD	CO-45212	YELLOW	CO-45112-IEC	CO-45112HD-IEC	CO-45212-IEC	GREEN	CHROMEL	ALUMEL	KX
CO-45113	CO-45113HD	CO-45213	BLUE	CO-45113-IEC	CO-45113HD-IEC	CO-45213-IEC	BROWN	COPPER	CONSTANTAN	TX
CO-45114	CO-45114HD	CO-45214	GREEN	CO-45114-IEC	CO-45114HD-IEC	CO-45214-IEC	ORANGE	COPPER	ALLOY 11	SX/RX
CO-45115	CO-45115HD	CO-45215	PURPLE	CO-45115-IEC	CO-45115HD-IEC	CO-45215-IEC	VIOLET	CHROMEL	CONSTANTAN	EX
CO-45116	CO-45116HD	CO-45216	WHITE	CO-45116-IEC	CO-45116HD-IEC	CO-45216-IEC	WHITE	COPPER	COPPER	BX
(USE HD)	CO-45117HD	CO-45217	ORANGE	(USE HD)	CO-45117HD-IEC	CO-45217-IEC	PINK	NICROSIL	NISIL	NX

